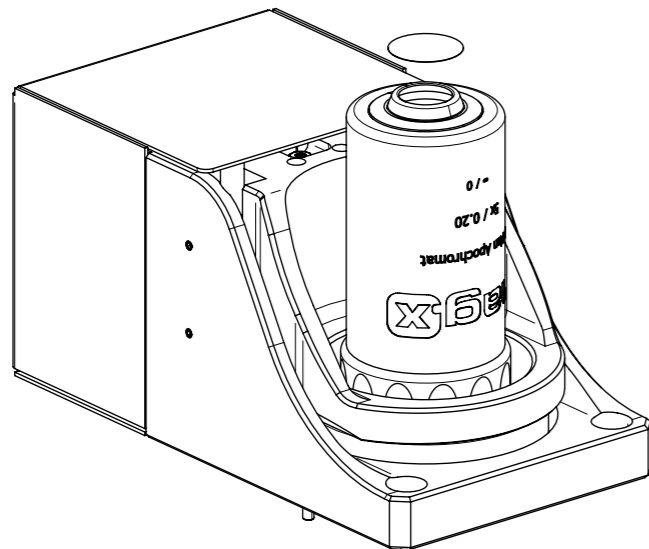


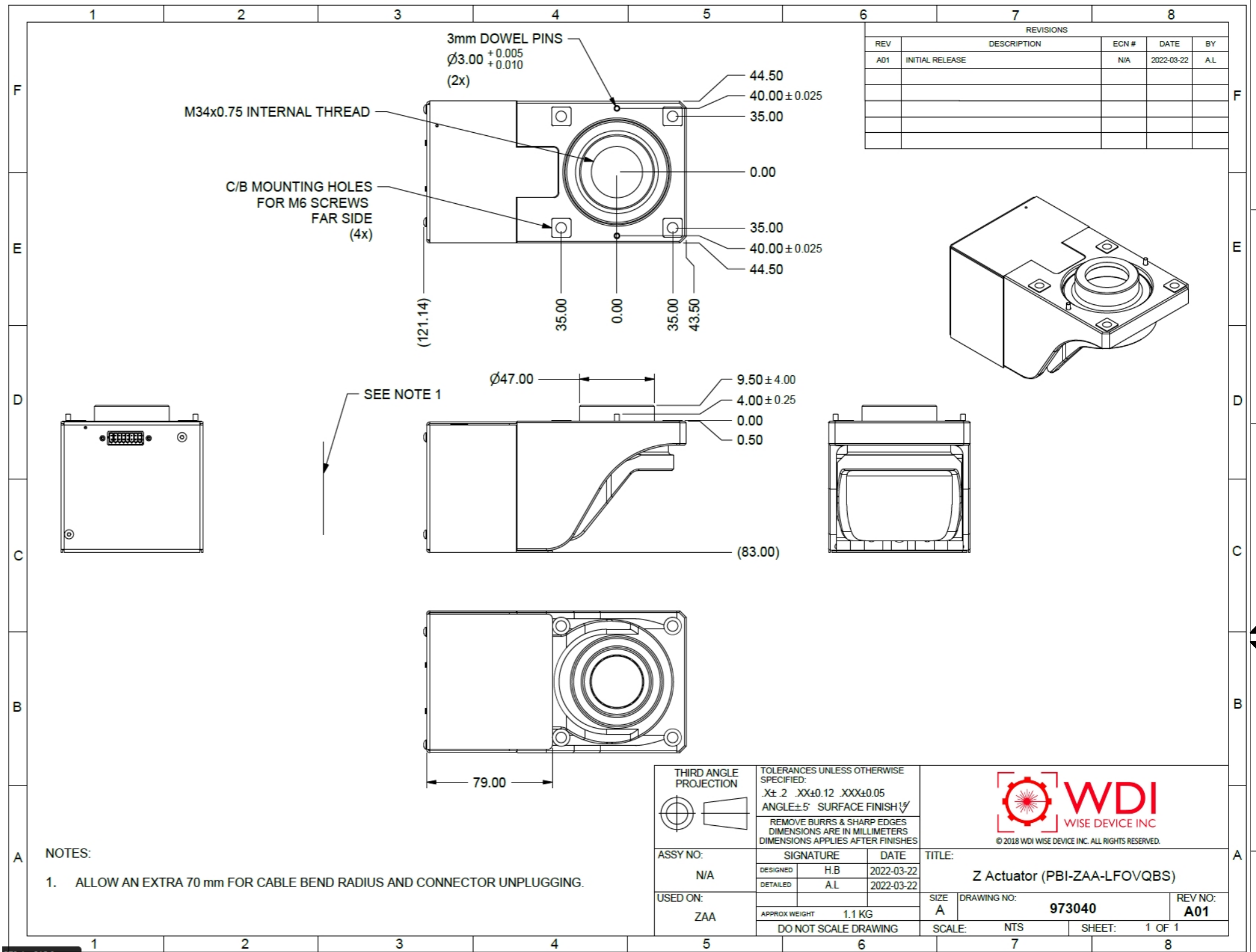
PROTECTIVE NOTE "DIN ISO 16016" TO BE OBSERVED EXCELITAS TECHNOLOGIES CONFIDENTIAL AND PROPRIETARY NOT FOR EXTERNAL DISTRIBUTION UNLESS COVERED BY A VALID NON-DISCLOSURE AGREEMENT



Specification - WDI - PBI-ZAxisActuator
 manufacturer: WiseDeviceInc., Canada
 type: PBI-ZAA-LFOVQBS
 motion type: stepper
 travel stroke: ± 4 mm
 max. speed: 10 mm/s
 max. acceleration: 350 mm/s²
 max. resolution: 0.04 μm/step
 max. load: 1.6 kg
 weight: 1.1 kg

Compatible AF sensor: PFA-SYS-785 (2421-006-232-00)
 Connection cable to sensor: CAB-PFA-ZAA, 580mm (2421-006-234-00)
 Cable for stand alone use: CAB-PFA-PWR/COM, 1800mm (2421-006-235-00)

PART NO	DESCRIPTION	PROVIDER	ORDER NO
2421-006-233-00	ZAktuator PBI-ZAA-LFOVQBS	Fa. WDI	# 973040



REV	ECC	DATE	APPR.	GENERAL TOLERANCE OF DIMENSION, FORM, POS.	SURF. TREATMT	SCALE	MATERIAL	TITLE	DRAWING NO.	SHEET
a	Neuauag	16.06.23	Götz			1:2	# 973040	ZAktuator PBI-ZAA-LFOVQBS	2421-006-233-00-0001b	1
b	24-0814	08.08.24	Götz							1

EU-D AL-T1A US-D US-ML not export controlled

PDM-Status Freigabe -

BASIC TOLERANCING PRINCIPLE

FIRST ISSUE: 16.06.23 Götz

CHKD: 16.06.23 Neumann

REPLACES

QIOPTIQ